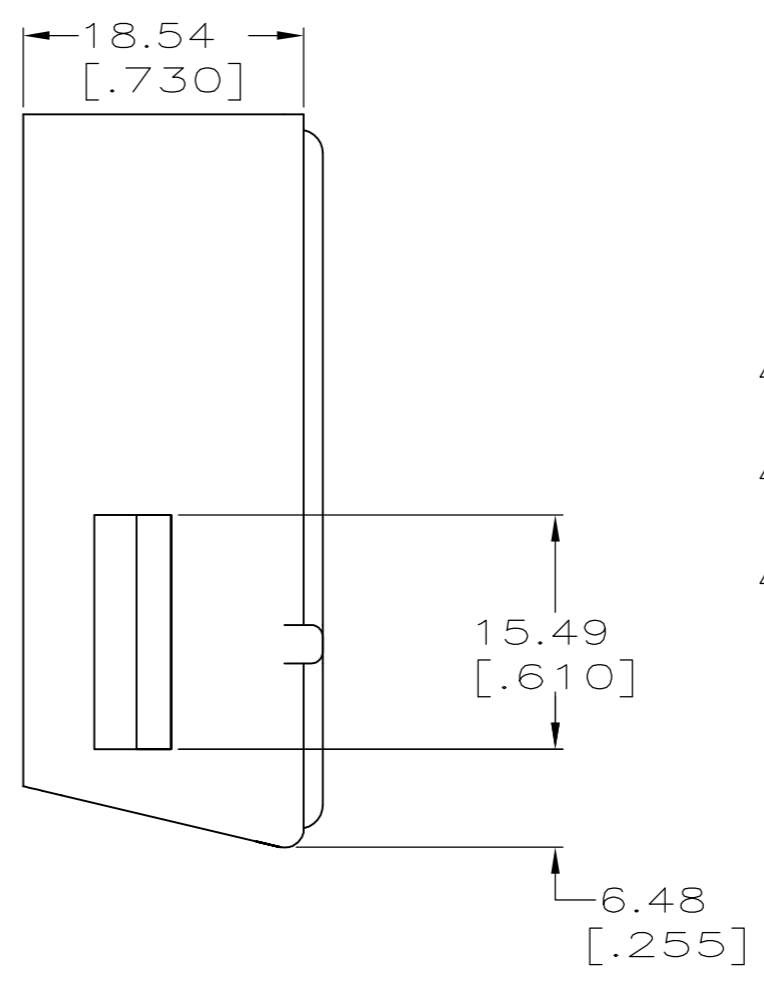
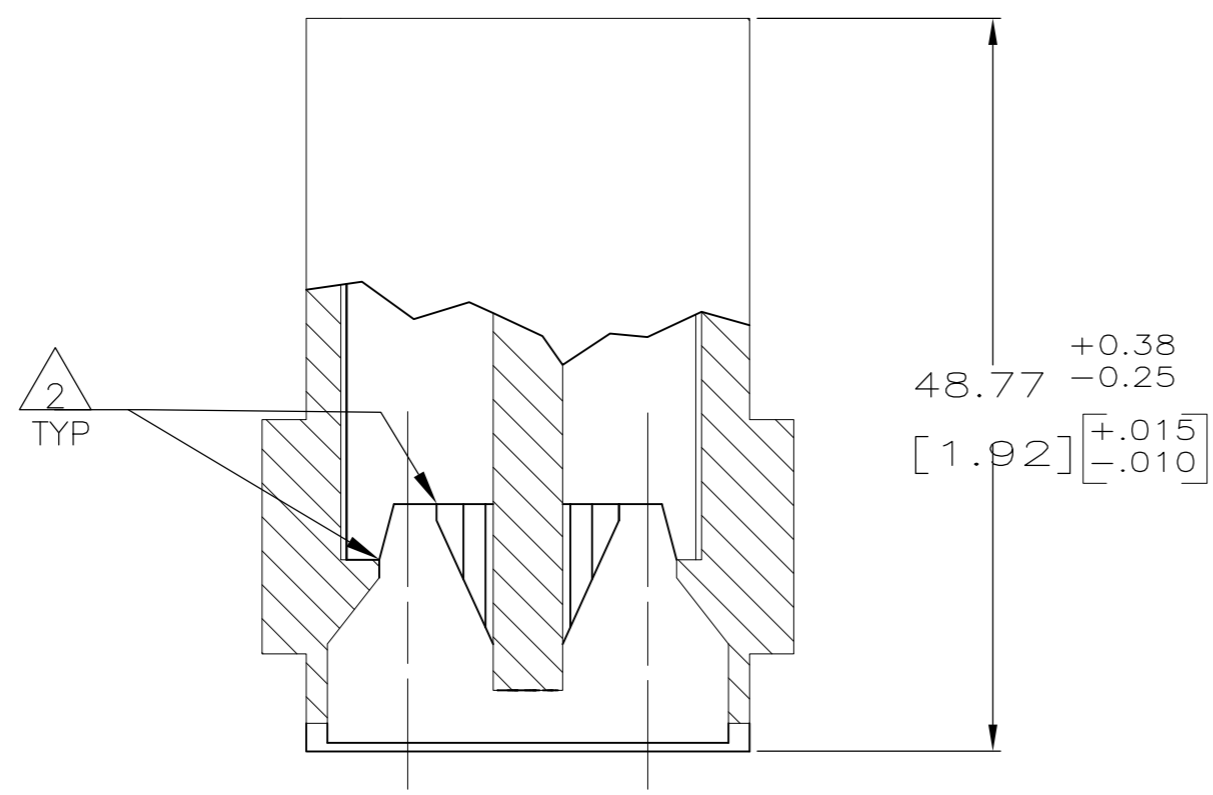
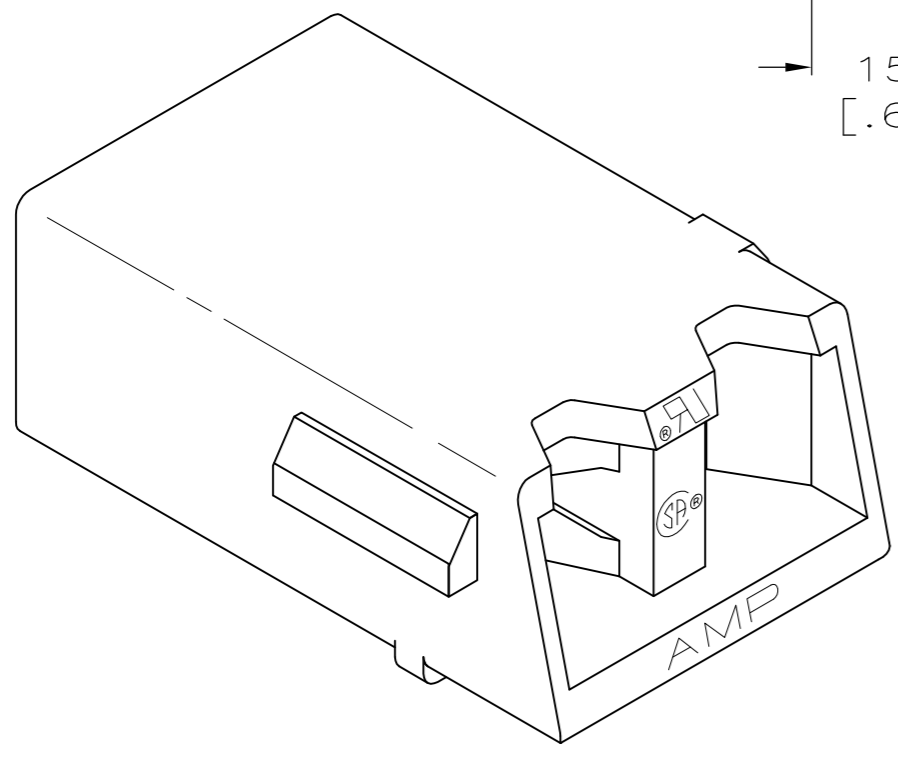
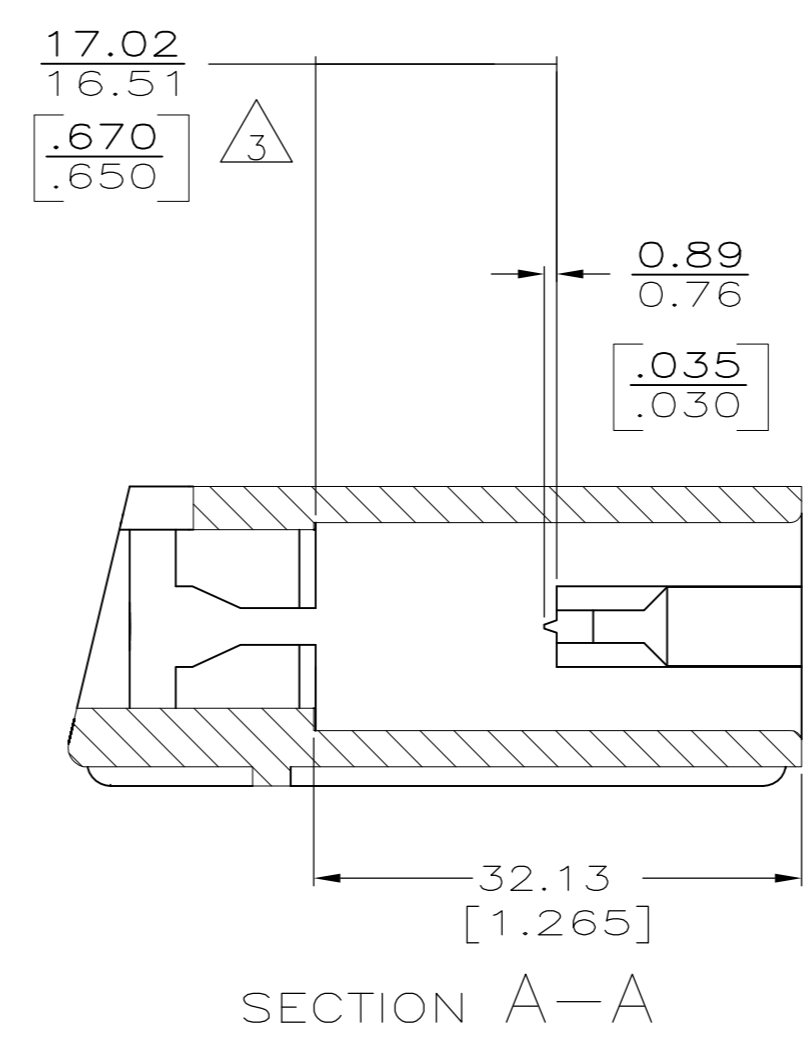
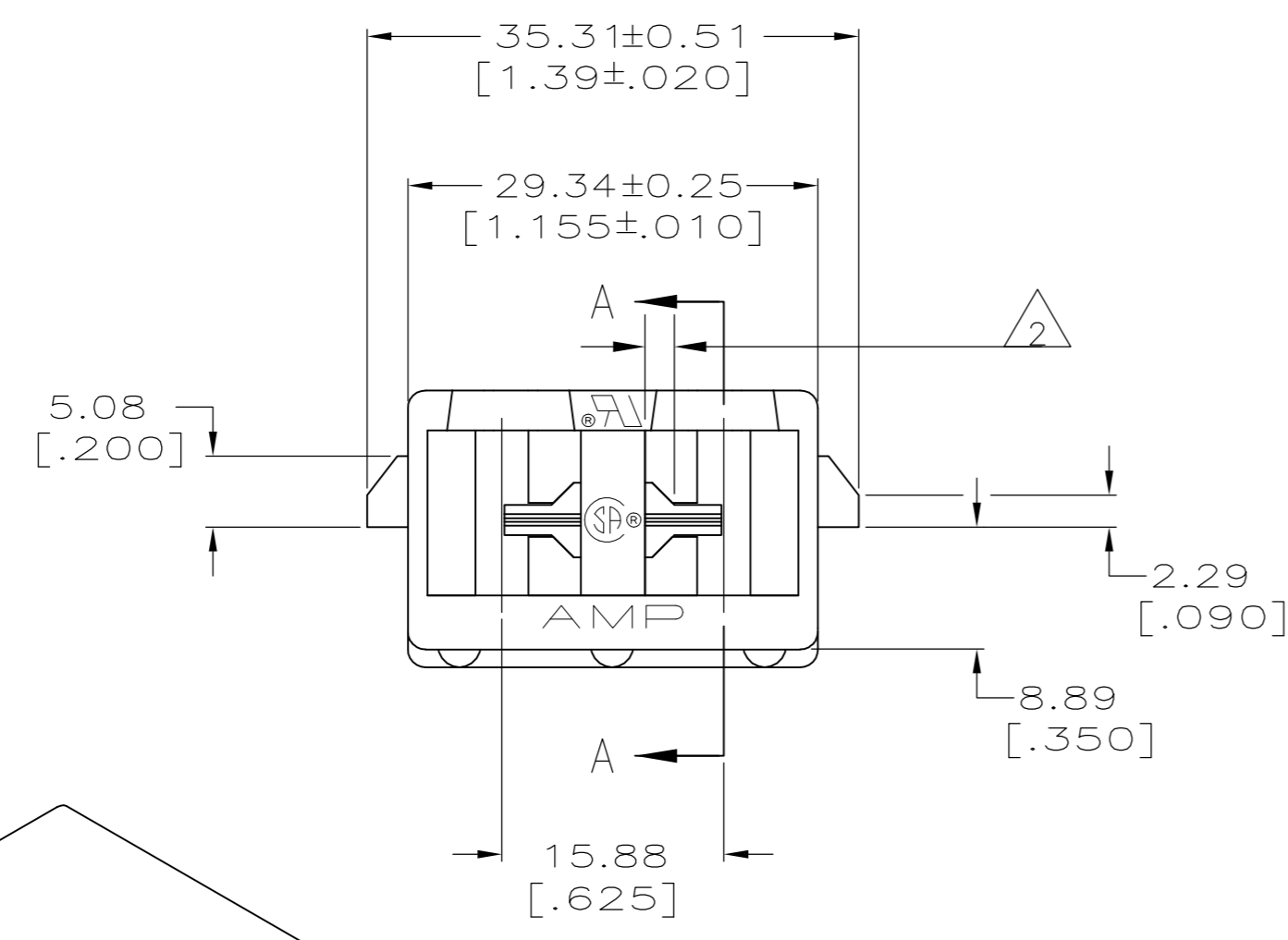


THIS DRAWING IS UNPUBLISHED. RELEASED FOR PUBLICATION
 © COPYRIGHT BY TYCO ELECTRONICS CORPORATION. ALL RIGHTS RESERVED.

LOC	DIST	REVISIONS					
		P	LTR	DESCRIPTION	DATE	DWN	APVD
AF	50	E		REV PER 0G3A-0790-04	07OCT04	JR	DD
		E1		REVISED PER ECR-15-017388	08DEC15	JJ	TD



1. ACCEPTS CONTACT 640748.
- 2 .025 MAX INTERNAL FLASH PERMITTED IN AREA INDICATED.
- 3 .090 MAX FLASH PERMITTED ALONG 45° SHUTOFF SURFACE WITHIN .670/.650 LENGTH.
- 4 SUPERSEDED BY 770524-1.



3-DIMENSIONAL MODEL NTS

4 OBSOLETE -770500-1
 PART NO.

THIS DRAWING IS A CONTROLLED DOCUMENT.		DWN P FORTNEY 10-22-90	 Tyco Electronics Corporation Harrisburg, Pa 17105-3608	NAME K SHANK	
DIMENSIONS: MM [INCHES]		CHK JR RUTH 10-22-90		PRODUCT SPEC -	
TOLERANCES UNLESS OTHERWISE SPECIFIED:		APVD K SHANK 10-22-90	APPLICATION SPEC -		SIZE A2
0 PLC ± -		WEIGHT -		CAGE CODE 00779	DRAWING NO 770500
1 PLC ± -		MATERIAL PHENOLIC		FINISH BLACK	RESTRICTED TO -
2 PLC ± 0.25 [.010]		CUSTOMER DRAWING		SCALE 2:1	SHEET 1 OF 1
3 PLC ± -				REV E1	
4 PLC ± -					
ANGLES ± -'					